

TS SERIES REVERSE OSMOSIS WATER SYSTEMS

TS300 • TS600 • TS1200

Kinetico's TS Series Reverse Osmosis Systems are ideal when high quality water is in need, space is at a premium and you need to conserve water.

How are the TS Series Reverse Osmosis Systems different?

- **Advanced Filtration.** Delivers high quality pure water to your application by removing total dissolved solids (TDS).
- **Capacity Range.** 300 to 1200 gallons per day of high quality water.
- **Efficient Water Production.** Designed to maximize water conservation.
- **Space-Saving Design.** Requires minimal floor space.
- **Expandable System.** Add membrane modules to increase production up to 1200 gallons per day.
- **Optional EverClean® Rinse.** Cleans the system's membrane with high quality permeate water upon shutdown to protect water quality and prolong the membrane's life.
- **Optional Accessories:**
 - **Carbon Filtration** provides chlorine removal for extended membrane life and improved product water quality.
 - **Filtration** improves feed water quality by removing excessive solids.
 - **Softening** increases reverse osmosis performance by removing hardness fouling, extending membrane life and improving water quality.
 - **Storage and Repressurization** systems provide a constant supply and pressure of high quality water.



Over 40 Years
Experience



Advanced Filtration



Capacity Range



Efficient Water
Production



Space-Saving
Design



Expandable System



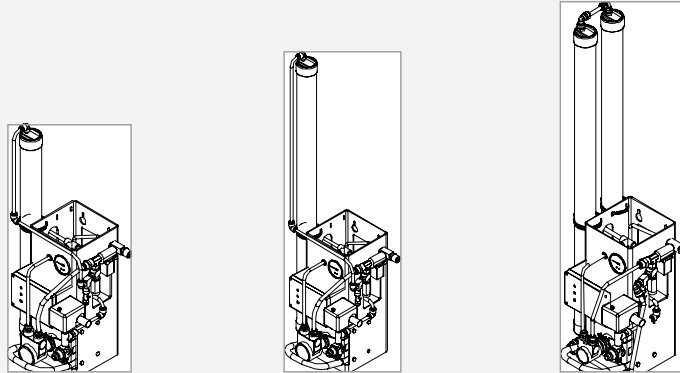
EverClean® Rinse



Optional
Accessories

TS SERIES REVERSE OSMOSIS WATER SYSTEMS

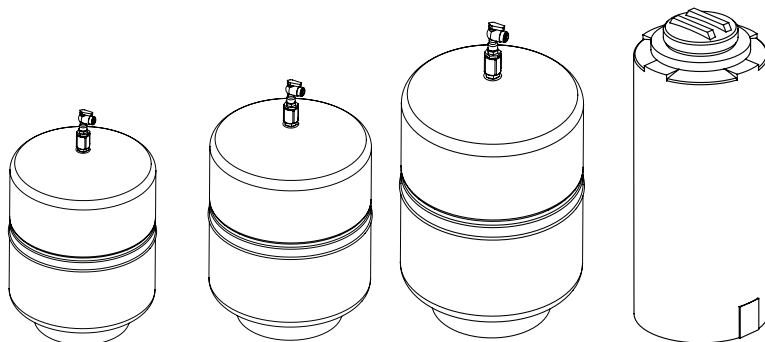
TS300 • TS600 • TS1200



Specifications	TS300	TS600	TS1200
System Size (w x d x h) in.	18 x 13 x 31	18 x 13 x 46	18 x 13 x 46
System Size (w x d x h) cm	43 x 30.5 x 79	43 x 30.5 x 117	43 x 30.5 x 117
Membrane Type	RO	RO	RO
EverClean [®] Rinse	Option	Option	Option
Power (voltage/hz)	120 / 60-230 / 50	120 / 60-230 / 50	120 / 60-230 / 50
Feed Pressure (psi/bar)	15-50 / 1-3.5	15-50 / 1-3.5	15-50 / 1-3.5
Operating Temperature (°F/°C)	35-90 / 1.6-32.2	35-90 / 1.6-32.2	35-90 / 1.6-32.2
Inlet Flow Rate (gpm/Lpm)*	0.42 / 1.6	0.84 / 3.2	1.68 / 6.4
Permeate Flow Rate (gpm/Lpm)*	0.21 / 0.8	0.42 / 1.6	0.84 / 3.2
Reject Flow Rate (gpm/Lpm)*	0.21 / 0.8	0.42 / 1.6	0.84 / 3.2
Rejection Rate - NaCl/CaCO ₃	97% / 99%	97% / 99%	97% / 99%
Daily Production (gpd/Lpd)*	300 / 1,135	600 / 2,271	1,200 / 4,542
TDS (Max.) as NaCl mg/L	2,500	2,500	2,500

*Based on 77°F (25°C), 500 TDS feed, permeate to atmospheric tank, 50 psi (3.45 bar) operating pressure

Storage Tank Options



Tank Description	10 gallon	20 gallon	40 gallon	300 gallon
Tank Height	24"	33"	58"	80"
Tank Footprint	16" DIA	16" DIA	16" DIA	35" DIA
Material	Lined Steel	Lined Steel	Lined Steel	HDPE